

R15/18PS

REACH TRUCK
WAREHOUSE SERIES



NEW ENERGY FORKLIFT LEADER

BYD Efficient Lithium-Ion Electric Forklift

byd-forklifts.com

STANDARD FEATURES

Safety

- Electric braking system
- Slope protection
- Turning speed limit
- Programmable automatic speed limit
- Battery sleep
- High loading position speed protection
- Power-off protection
- Charger protection
- Reversing alarm
- Front-rear movement buffer
- Cylinder lifting end buffer
- Cylinder lowering speed limit
- Operator Presence Sensor
- LED headlights

Performance

- Iron-phosphate battery
- AC drive system
- AC hydraulic lift system
- Small turning radius
- Battery rapid charging & opportunity charging
- Programmable performance
- Digital (LCD) multifunction display
 - Time & date
 - OPS time accumulator
 - Battery capacity indicator
 - Over-discharge warning (lift interrupt)
 - Parking brake indicator
- Direction indicator
- Maintenance indicator
- Height & weight indicator
- Error code alarm
- Built-in analyzer
- Self-diagnostics

Operability & Ergonomics

- Strategically configured instrument
- Electric directional shift control
- Forward/backward shifting
- Dash-mounted USB port
- Heavy-duty slip-resistant floor mat

Serviceability

- AC drive motor (no brushes or commutator)
- AC hydraulic motor (no brushes or commutator)
- Charging port analyzing connection
- Easy-access no-tools floorboard
- Maintenance - free sealling battery case
- Easy-lift battery hood
- Hydraulic fluid level check
- Easy-access controllers
- CAN-bus controller wiring

OPTIONAL EQUIPMENT

Load Handling (Wide visible mast)

- Standard lift 2-stage mast (Duplex standard)
- Full free-lift 3-stage 3-cylinder mast (Triplex FFL)
- Lifting buffer
- Customized fork
- Customized load backrest
- Customized fork sleeve

Load Handling (Hose & Valve Assembly)

- 3-way valve achieve 4 functions
- Cascade hang-on side shifter
- Forward/backward shifting

Lights & Indicators

- Front & rear headlight
- Strobe light
- LED Distance Warning spot Light
- LED Distance Warning laser Light
- Back up buzzer

Body

- Fork camera
- Lifting height display
- Hydraulic weighing & display
- Panoramic rearview mirror
- Overload protection
- Fan
- Special key

TECHNICAL SPECIFICATIONS

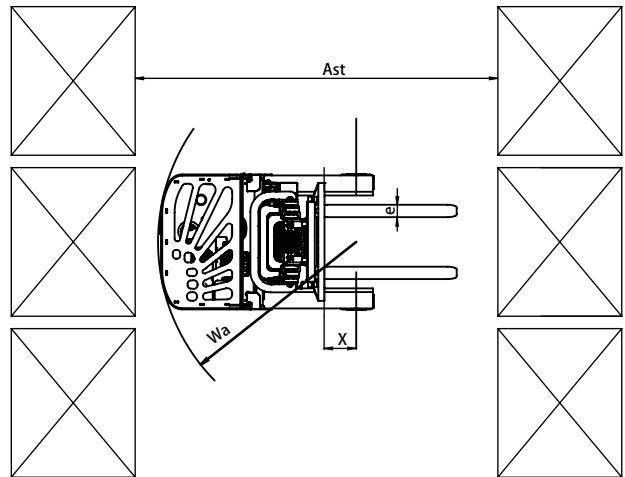
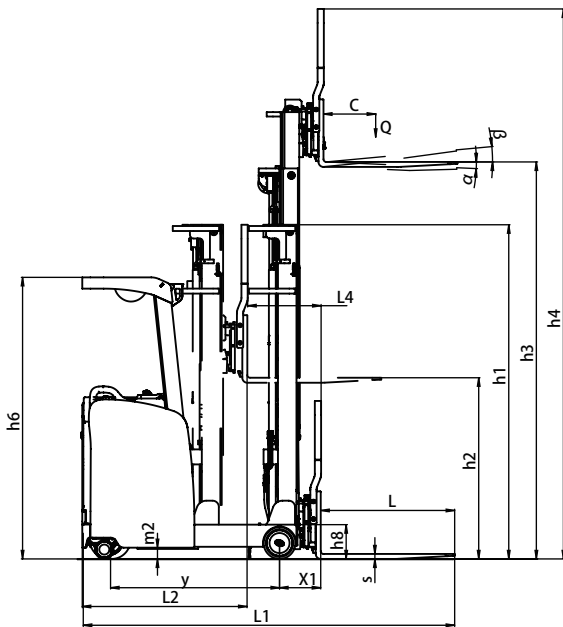
Characteristic	Manufacturer		BYD	BYD	
	Model		R15PS	R18PS	
	Power type		Electric	Electric	
	Operation type		Stand-on	Stand-on	
	Load capacity	Q kg	1500	1800	
	Load centre	c mm	500	500	
	Axle centre to force face (mast extended)	x mm	200	200	
	Wheel base	y mm	1350	1500	
	Mast reach distance	mm	520	670	
Weights	Service weight(including battery)		kg	2375	2515
	Axle load, mast extended without load,drive/support arm wheel		kg	1295/1080	1405/1100
	Axle load, mast retracted without load,drive/support arm wheel		kg	1550/825	1700/815
	Axle load, mast extended without load,drive/support arm wheel		kg	515/3360	565/3750
	Axle load, mast retracted without load,drive/support arm wheel		kg	1350/2525	1665/2650
Wheels	Wheel type			Polyurethane	Polyurethane
	Wheel size, driving			Φ313×125	Φ313×125
	Tyre size, rear(load)			Φ254×114	Φ254×114
	Wheel size, front(caster)			Φ150×80	Φ150×80
	Wheels, number front/Rear (x = driven)			1x+1/2	1x+1/2
	Track width, front	b11 mm	980	980	
	Track width, rear	mm	650	650	
Dimensions	Fork carriage tilt, forward/backward		α/β (°)	3/5	3/5
	Height of mast, lowered		h1 mm	2025	2025
	Free lift		h2 mm	125	125
	Lift		h3 mm	3000	3000
	Height of mast, extended		h4 mm	4220	4220
	Height of overhead guard (cabin)		h6 mm	2250	2250
	Height of reach legs		h8 mm	275	275
	Overall length		l1 mm	2175	2175
	Length to fork face		l2 mm	1255	1255
	Overall width		b1 mm	1090	1090
	Fork dimensions		s/e/l mm	40/100/920	40/100/920
	Fork carriage to ISO 2328, class/type A, B			2A	2A
	Width of fork carriage		b3 mm	730	730
	Width across forks(min/max)		b5 mm	200/680	200/680
	Width between reach legs		b4 mm	750	750
	Mast reach travel		l4 mm	520	670
	Ground clearance, below mast		m1 mm	73	73
	Ground clearance, centre of wheelbase		m2 mm	80	80
	Aisle width with pallet 1000 x 1200 across forks		Ast mm	2707	2751
	Aisle width with pallet 800 x 1200 along forks		Ast mm	2767	2782
	Turning radius		Wa mm	1600	1750
Length of chassis		l7 mm	1720	1870	
Performance	Travel speed, with/without load		km/h	10.5/10.5	10.5/10.5
	Lifting speed, with/without load		mm/s	320/500	320/500
	Lowering speed, with/without load		mm/s	500/500	500/500
	Maximum climbing ability, with/without load		%	10/15	10/15
	Service brake			Electro-magnetic	Electro-magnetic
Drive	Drive motor, 60 minute rating		kw	5.8	5.8
	Lift motor, rating at S3 15%		kw	8.8	8.8
	Battery voltage/rated capacity		V/Ah	48(210/420)	48(210/420)
	Battery weight		kg	365	365
Others	Type of drive control			AC	AC
	Operating pressure for attachments		bar	210	210
	Noise level at operator's ear		dB(A)	≤75	≤75

*BYD reserves the right to alter and modify the design, features and technical parameters of its products at any given time and without pre-advise, as products are subject to ongoing and continuous development.

MAST SPECIFICATIONS

- h3** Lifting Height (mm) **h2** Full Free Lift Height (mm) **h1** Height, Mast Fully Lowered (mm)
- h4** Height, Mast Fully Extended (mm) **α** Tilt Forward **β** Tilt Backward

Mast Specifications	h3	h2	h1	h4	α	β	Residual Capacity (kg) @500mm	
							R15PS	R18PS
2-stage standard Mast	3000	125	2025	4220	3°	5°	1500	1800
	3300	125	2175	4520	3°	5°	1500	1800
	3500	125	2275	4720	3°	5°	1500	1800
	4000	125	2575	5220	3°	5°	1450	1800
	4500	125	2825	5720	3°	5°	1350	1650
	5000	125	3125	6220	3°	5°	1150	1500
3-stage with single FFL Mast	4000	680	1900	5220	3°	5°	1450	1800
	4500	830	2050	5720	3°	5°	1350	1650
	4800	930	2150	6020	3°	5°	1300	1580
	5000	980	2200	6220	3°	5°	1150	1500
	5500	1180	2400	6720	3°	5°	1050	1250
	6000	1450	2670	7220	3°	5°	950	1050



BYD Forklift production site is certified:
ISO 9001 ISO 14001 OHSAS 18001

