

RTR20

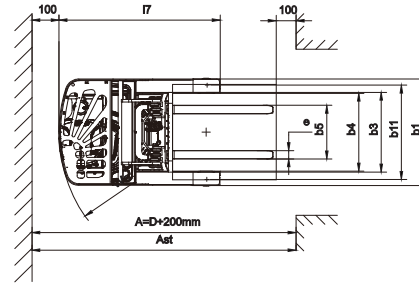
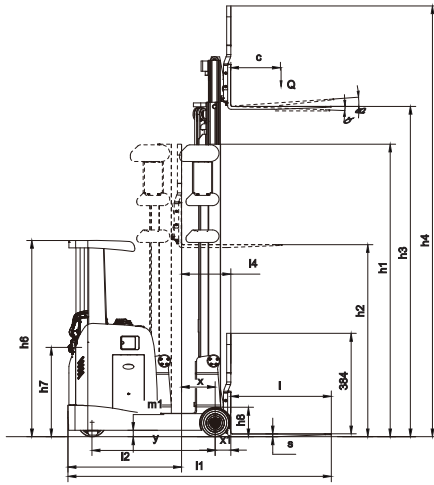
REACH TRUCK
WAREHOUSE SERIES



NEW ENERGY FORKLIFT LEADER

BYD Efficient Lithium-Ion Electric Forklift

byd-forklifts.com



STANDARD FEATURES

Safety

- Electric braking system
- Slope protection
- Turning speed limit
- Programmable automatic speed limit
- Multi-functional seat with safe belt
- High loading position speed protection
- Overload protection
- Power-off protection
- Charger protection
- Strobe light and reversing alarm
- Front-rear movement buffer
- Cylinder lifting end buffer
- Cylinder lowering speed limit
- Operator presence sensing
- LED headlights

Performance

- Iron-phosphate battery
- AC drive system
- AC hydraulic lift system
- Small turning radius
- Battery rapid charging & opportunity charging
- Programmable performance
- Digital (LCD) multifunction display
 - Time & date
 - OPS time accumulator
 - Battery capacity indicator
 - Over-discharge warning (lift interrupt)
 - Parking brake indicator
- Direction indicator
- Maintenance indicator
- Height & weight indicator
- Error code alarm
- Built-in analyzer
- Self-diagnostics

Operability & Ergonomics

- Strategically configured instrument
- Electric directional shift control
- Automatic fork-leveling control
- Seat-mounted finger-switch hydraulic controls
- Dash-mounted cup holder
- Dash-mounted USB port
- Heavy-duty slip-resistant floor mat
- Parking brake alarm

Serviceability

- AC drive motor (no brushes or commutator)
- AC hydraulic motor (no brushes or commutator)
- Charging port analyzing connection
- Easy-access no-tools floorboard
- Maintenance - free sealing battery case
- Easy-lift battery hood
- Hydraulic fluid level check
- Easy-access controllers
- CAN-bus controller wiring

OPTIONAL EQUIPMENT

Load Handling (Wide visible mast)

- Standard lift 2-stage mast (Duplex standard)
- Full free-lift 3-stage 3-cylinder mast (Triplex FFL)
- Lifting buffer
- Customized fork
- Customized load backrest
- Customized fork sleeve

Load Handling (Hose & valve assembly)

- 3-way valve achieve 4 functions
- Cascade hang-on side shifter
- Forward/backward shifting

Lights & Indicators

- Front & rear headlight
- Strobe light
- LED distance warning spot light
- LED distance warning laser light
- Back up buzzer

Body

- Operator presence sensing unit
- Fork camera
- USB port
- Panoramic rearview mirror
- Hydraulic weighing & display
- Overload protection
- Fan
- Fire extinguisher
- Special key

Wheels & Tires

- Standard polyurethane wheel
- Anti-skid wheel

REACH TRUCK SPECIFICATIONS

Characteristic	Manufacturer			BYD		
	Model			RTR20		
	Power Unit			Electric		
	Operation			Seat		
	Load Capacity	Q	lbs	kg	4409	2000
	Load Centre	c	in	mm	24	600
	Axle Centre to Force Face	x	in	mm	7/13	188/320
	Wheel Base	y	in	mm	58	1470
Weights	Service Weight		lbs	kg	10031	4550
	Axle Load, Fork Outreached, with load, Front/Rear		lbs	kg	4001/6030	1815/2735
	Axle Load, Fork Retracted, with Load, Front/Rear		lbs	kg	6052/3979	2745/1805
	Axle Load, Fork Retracted, without Load, Front/Rear		lbs	kg	5192/9259	2355/4200
Wheels	Tyre Rubber, SE, Pneumatic, Polyurethane				Polyurethane	
	Tyre Size, Front				Φ343×136	
	Tyre Size, Rear				Φ340×100	
	Wheels, Number Front/Rear (x=Driven)				1x/2	
	Track Width, Rear	b11	in	mm	46	1170
Dimensions	Mast/Fork Carriage Tilt, Forward/Backward	α/β	(°)	(°)	2/4	
	Height of Mast, Lowered	h1	in	mm	183	4646
	Free Lift	h2	in	mm	136	3446
	Lift	h3	in	mm	453	11500
	Height of Mast, Extended	h4	in	mm	502	12746
	Height of Overhead Guard (Cabin)	h6	in	mm	92	2345
	Height of Seat/Stand on Platform	h7	in	mm	40	1020
	Height of Reach Legs	h8	in	mm	14	360
	Fork Retracted Height	h13	in	mm	2	45
	Overall Length	l1	in	mm	104	2635
	Length to Fork Face	l2	in	mm	56	1435
	Overall Width	b1	in	mm	50	1270
	Fork Dimensions	s/e/l	in	mm	2/4/47	45/100/1200
	Fork Carriage to ISO 2328, Class/Type A, B				2A	
	Width of Fork Carriage	b3	in	mm	29	730
	Fork Spread, Min/Max	b5	in	mm	8/27	210/678
	Width between Reach Legs	b4	in	mm	37	930
	Reach Travel	l4	in	mm	20	508
	Ground Clearance, Below Mast	m1	in	mm	3	76
	Ground Clearance, Centre of Wheelbase	m2	in	mm	3	76
Aisle Width with Pallet 1000 x 1200 Across Forks	Ast	in	mm	113	2867	
Aisle Width with Pallet 800 x 1200 Along Forks	Ast	in	mm	115	2927	
Turning Radius	Wa	in	mm	69	1758	
Length of Chassis	l7	in	mm	76	1930	
Performance	Travel Speed, with/without Load		mph	Km/h	8/8	13/13
	Lifting Speed, with/without Load		ft/min	mm/s	63/106	320/540
	Lowering Speed, with/without Load		ft/min	mm/s	98/98	500/500
	Reach Speed, with/without Load		ft/min	mm/s	35/35	180/180
	Mast Retrieve Speed, with/without Load		ft/min	mm/s	35/35	180/180
	Maximum Climbing Ability, with/without Load		%	%	12/12	
	Service Brake				Electro-magnetic / Hydr.	
Drive	Drive Motor, 60 Minute Rating		HP	kW	9	6.8
	Lift Motor, Rating at S3 15%		HP	kw	16	12
	Battery Voltage/Rated Capacity		V/Ah	V/Ah	80/270	
	Battery Weight		lbs	kg	937	425
Others	Type of Drive Control				AC	
	Operating Pressure for Attachments		bar	bar	210	
	Noise Level at Operator's Ear		dB(A)	dB(A)	≤75	

MAST SPECIFICATIONS

RTR20	Maximum Fork Height (h3)	Free Lift with 1200mm Load backrest (h2)	Free Lift without Load backrest (h2)	Lowered (h1)	Extended with 1200mm Load backrest (h4)	Extended without Load backrest (h4)	FWD(α)	BWD(β)	Load capacity at 24 inch(600mm) load center Hang-On Side Shifter	Load capacity at 24 inch(600mm) load center Integral Side Shifter
	in (mm)	in (mm)	in (mm)	in (mm)	in (mm)	in (mm)	deg	deg	lbs (kg)	lbs (kg)
Standard Mast	106(2700)	2(40)	2(40)	78(1971)	155(3946)	131(3345)	2°	4°	4409(2000)	4409(2000)
	118(3000)	2(40)	2(40)	84(2121)	167(4246)	143(3625)	2°	4°	4409(2000)	4409(2000)
	138(3500)	2(40)	2(40)	93(2371)	187(4746)	162(4125)	2°	4°	4409(2000)	4409(2000)
	150(3800)	2(40)	2(40)	99(2521)	199(5046)	174(4425)	2°	4°	4409(2000)	4409(2000)
	157(4000)	2(40)	2(40)	103(2621)	207(5246)	182(4625)	2°	4°	4409(2000)	4409(2000)
	177(4500)	2(40)	2(40)	113(2871)	226(5746)	202(5125)	2°	4°	4409(2000)	4409(2000)
	189(4800)	2(40)	2(40)	119(3021)	238(6046)	214(5425)	2°	4°	4409(2000)	4409(2000)
	197(5000)	2(40)	2(40)	123(3121)	246(6246)	221(5625)	2°	4°	4409(2000)	4409(2000)
Three-Stages Fully Free Mast	209(5300)	2(40)	2(40)	129(3271)	258(6546)	233(5925)	2°	4°	4409(2000)	4409(2000)
	177(4500)	38(961)	62(1569)	85(2161)	226(5746)	202(5125)	2°	4°	4409(2000)	4409(2000)
	189(4800)	42(1061)	66(1669)	89(2261)	238(6046)	214(5425)	2°	4°	4409(2000)	4409(2000)
	201(5100)	46(1161)	70(1769)	93(2361)	250(6346)	225(5725)	2°	4°	4409(2000)	4409(2000)
	219(5550)	52(1311)	76(1919)	99(2511)	268(6796)	243(6175)	2°	4°	4409(2000)	4409(2000)
	236(6000)	58(1461)	81(2069)	105(2661)	285(7246)	261(6625)	2°	4°	4189(1900)	4299(1950)
	254(6450)	63(1611)	87(2219)	111(2811)	303(7696)	279(7075)	2°	4°	3968(1800)	4134(1875)
	266(6750)	69(1761)	93(2369)	117(2961)	315(7996)	290(7375)	2°	4°	3803(1725)	4001(1815)
	283(7200)	75(1911)	99(2519)	122(3111)	333(8446)	308(7825)	2°	4°	3693(1675)	3891(1765)
	301(7650)	81(2061)	105(2669)	128(3261)	350(8896)	326(8275)	2°	4°	3527(1600)	3781(1715)
Three-Stages Fully Free Hight Mast	319(8100)	87(2211)	111(2819)	134(3411)	368(9346)	344(8725)	2°	4°	3307(1500)	3638(1650)
	335(8500)	90(2296)	114(2904)	138(3496)	384(9746)	359(9125)	2°	4°	3197(1450)	3527(1600)
	354(9000)	100(2546)	124(3145)	147(3746)	403(10246)	379(9625)	2°	4°	2866(1300)	3086(1400)
	374(9500)	106(2696)	130(3295)	153(3896)	423(10746)	399(10125)	2°	4°	2646(1200)	2866(1300)
	394(10000)	114(2896)	140(3545)	161(4096)	443(11246)	418(10625)	2°	4°	2425(1100)	2646(1200)
	413(10500)	120(3046)	144(3645)	167(4246)	462(11746)	438(11125)	2°	4°	2205(1000)	2425(1100)
	433(11000)	129(3271)	152(3870)	176(4471)	482(12246)	458(11625)	2°	4°	2028(920)	2205(1000)
	453(11500)	136(3446)	159(4045)	183(4646)	502(12746)	477(12125)	2°	4°	1874(850)	2094(950)

BYD Forklift production site is certified:
ISO 9001 ISO 14001 OHSAS 18001



BYD Motors LLC	661-940-3255	sales@byd-forklifts.com	byd-forklifts.com
----------------	--------------	-------------------------	-------------------